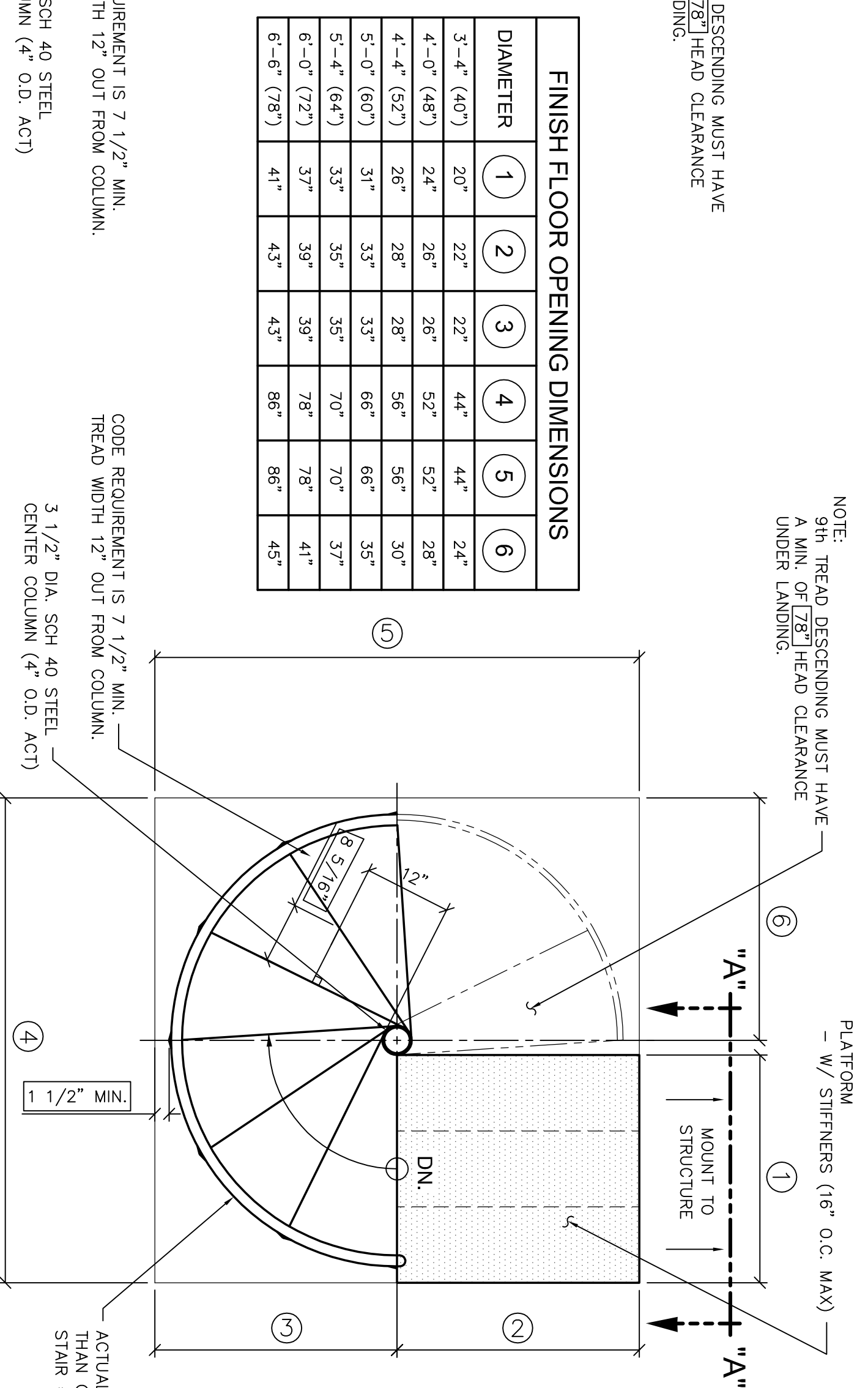
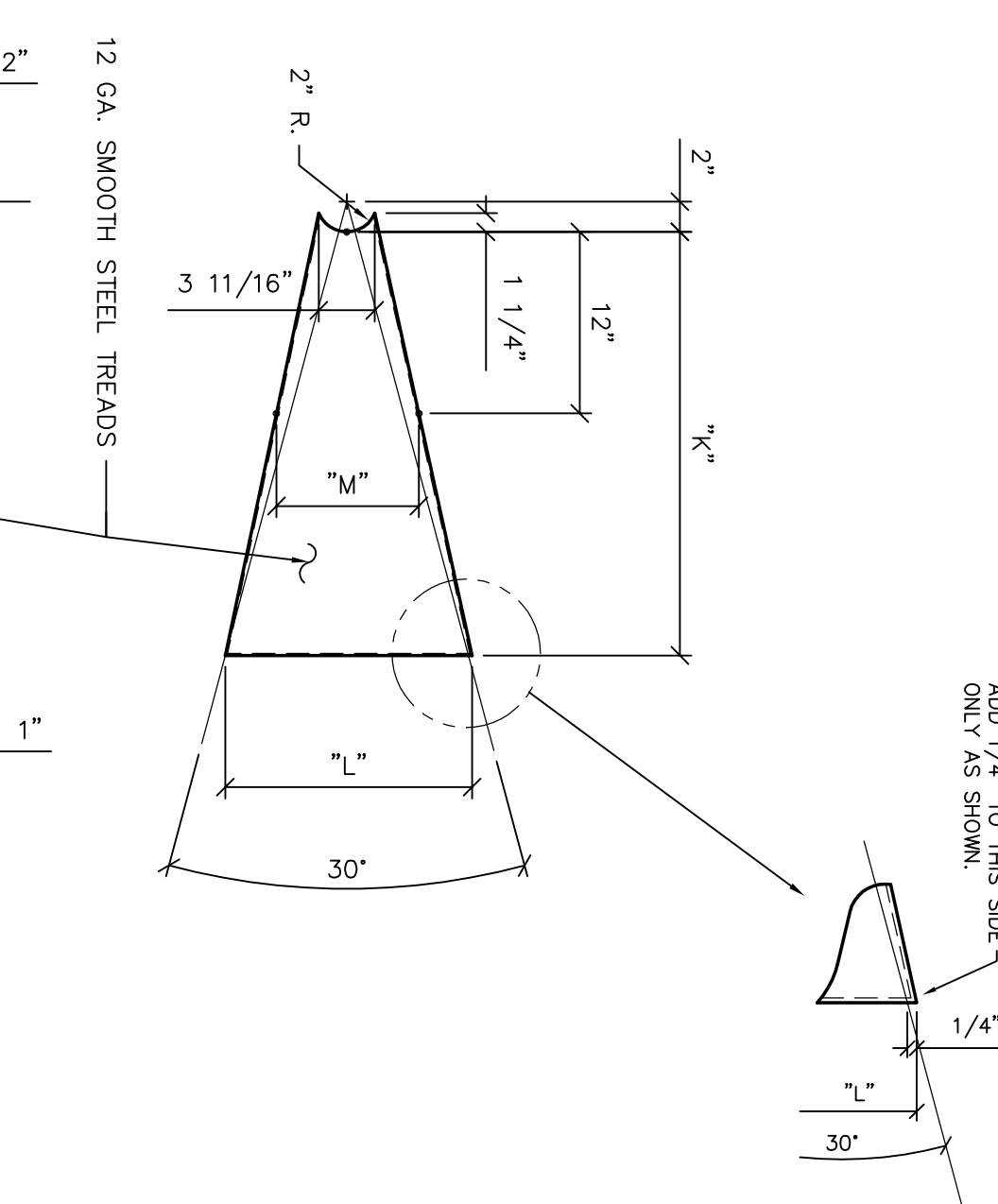
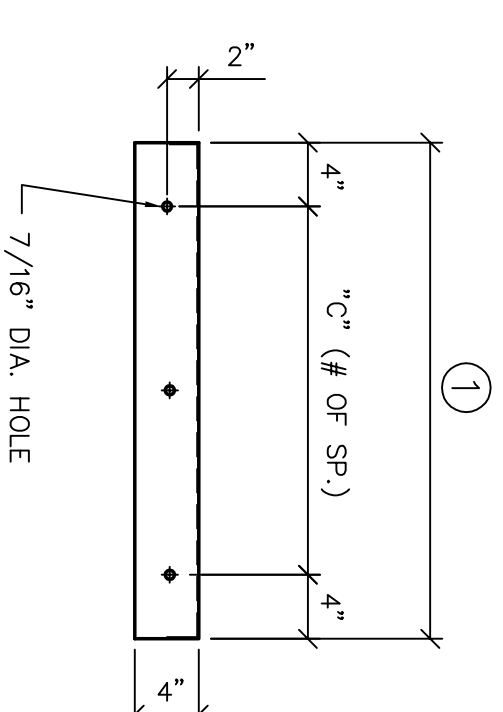


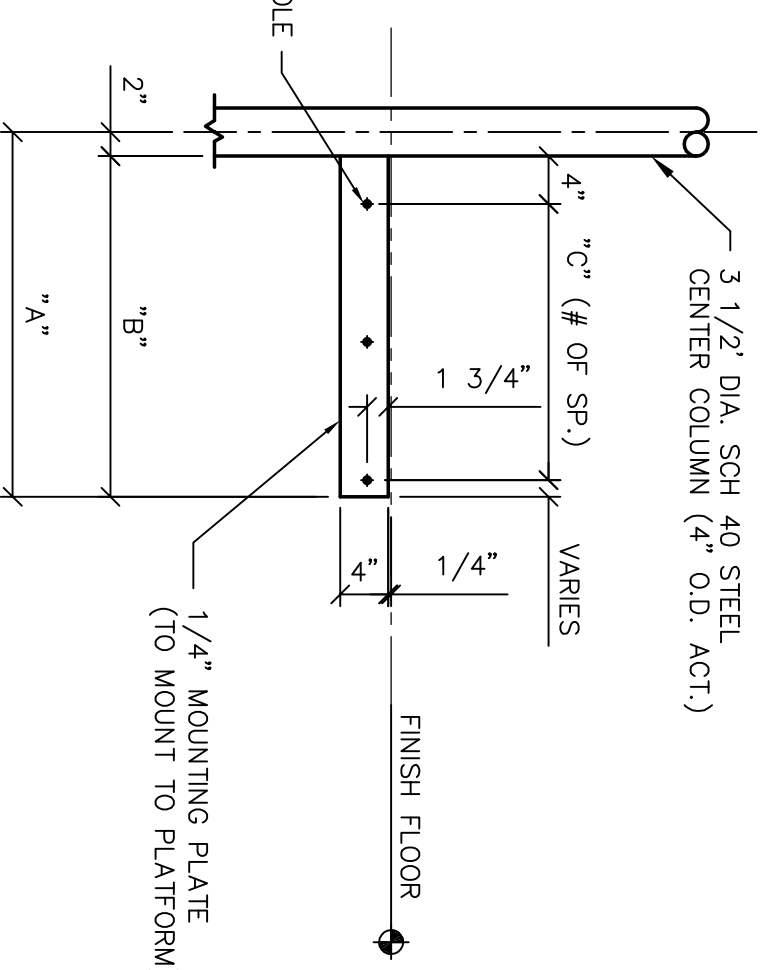
| FINISH FLOOR OPENING DIMENSIONS | | | | | | |
|---------------------------------|-----|-----|-----|-----|-----|-----|
| DIAMETER | 1 | 2 | 3 | 4 | 5 | 6 |
| 3'-4" (40") | 20" | 22" | 22" | 44" | 44" | 24" |
| 4'-0" (48") | 24" | 26" | 26" | 52" | 52" | 28" |
| 4'-4" (52") | 26" | 28" | 28" | 56" | 56" | 30" |
| 5'-0" (60") | 31" | 33" | 33" | 66" | 66" | 35" |
| 5'-4" (64") | 33" | 35" | 35" | 70" | 70" | 37" |
| 6'-0" (72") | 37" | 39" | 39" | 78" | 78" | 41" |
| 6'-6" (78") | 41" | 43" | 43" | 86" | 86" | 45" |



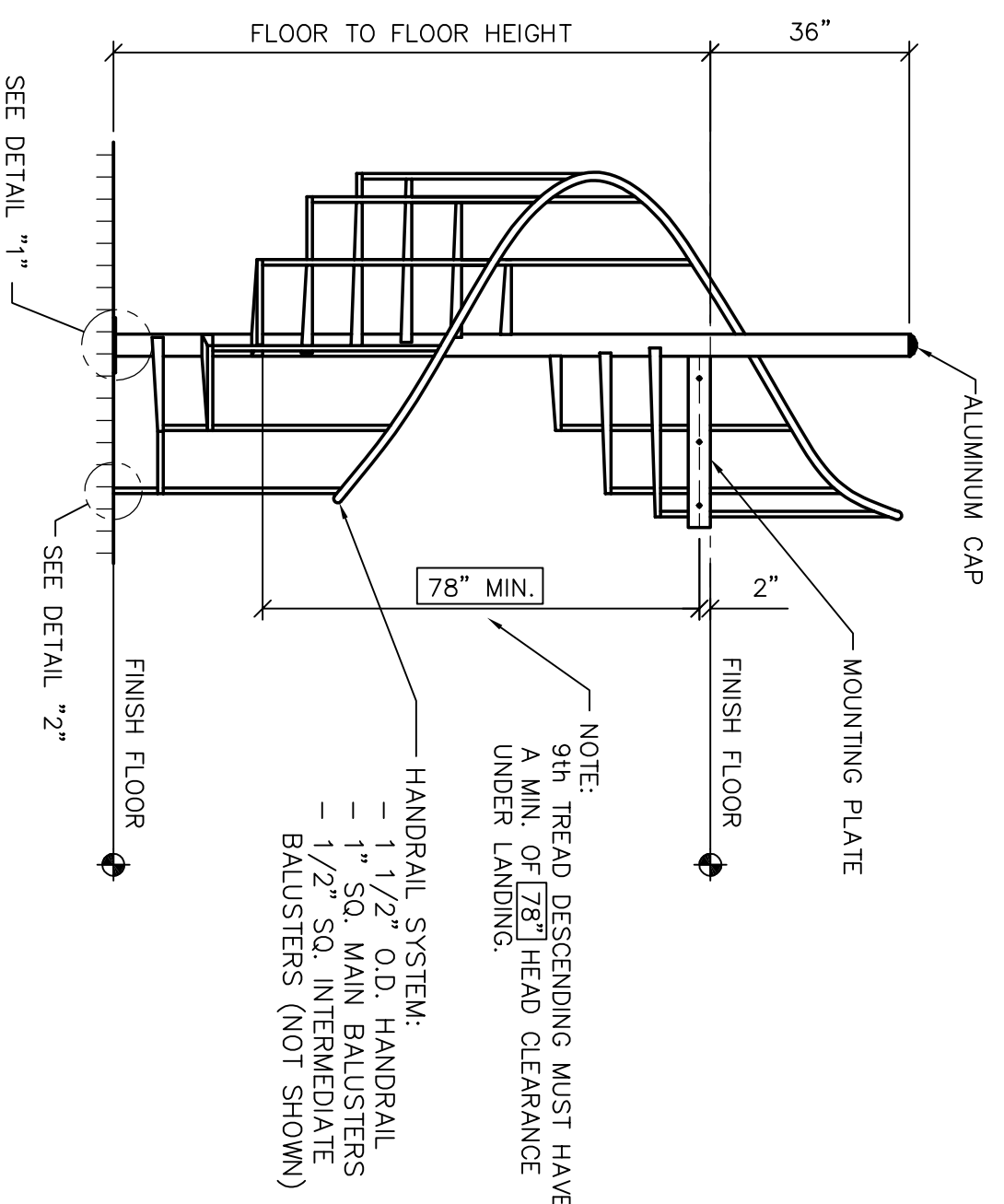
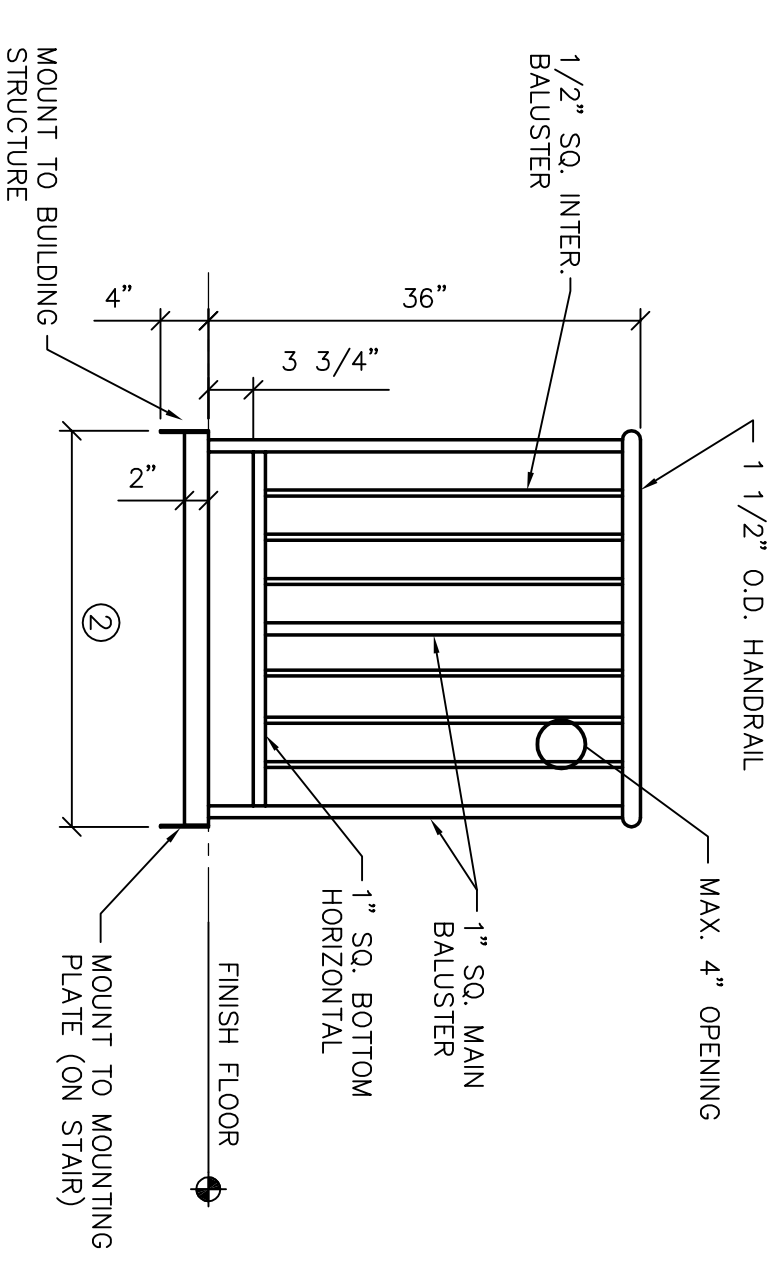
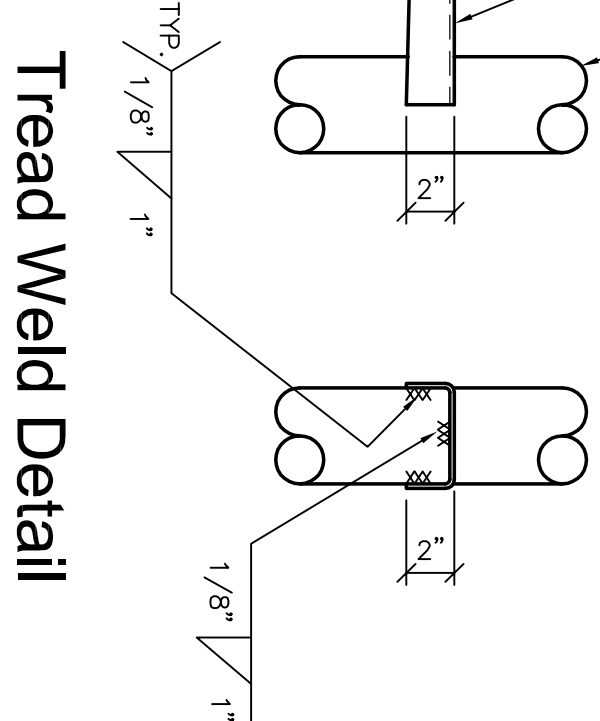
| STAIR DIAMETER | DIMENSION | | |
|----------------|-----------|-----------|----------|
| | "K" | "L" | "M" |
| 40" | 18" | 10 15/16" | 8 11/16" |
| 48" | 22" | 13 1/8" | 9 1/16" |
| 52" | 24" | 14 3/16" | 9 3/16" |
| 60" | 28" | 16 5/16" | 9 7/16" |
| 64" | 30" | 17 3/8" | 9 1/2" |
| 72" | 34" | 19 9/16" | 9 11/16" |
| 78" | 37" | 21 1/8" | 9 3/4" |



| 30° TREAD RISER CHART | | | |
|-----------------------|------------------|------------------|----------------|
| FLOOR TO FLOOR HEIGHT | NUMBER OF TREADS | NUMBER OF RISERS | DEGREE OF TURN |
| 76.5" - 85.5" | 8 | 9 | 240° |
| TO 95" | 9 | 10 | 270° |
| TO 104.5" | 10 | 11 | 300° |
| TO 114" | 11 | 12 | 330° |
| TO 123.5" | 12 | 13 | 360° |
| TO 133" | 13 | 14 | 390° |
| TO 142.5" | 14 | 15 | 420° |
| TO 152" | 15 | 16 | 450° |
| TO 161.5" | 16 | 17 | 480° |
| TO 171" | 17 | 18 | 510° |



| MOUNTING PLATE SCHEDULE | "A" | "B" | "C" |
|-------------------------|-----|----------|-------------|
| 40" | 20" | 17 3/4" | 12" (1) |
| 48" | 24" | 21 5/8" | 16" (1) |
| 52" | 28" | 23 5/8" | 18" (1) |
| 60" | 30" | 28 7/16" | 11 1/2" (2) |
| 64" | 32" | 30 3/8" | 12 1/2" (2) |
| 72" | 36" | 34 3/16" | 14 1/2" (2) |
| 78" | 39" | 37 5/8" | 16 1/2" (2) |

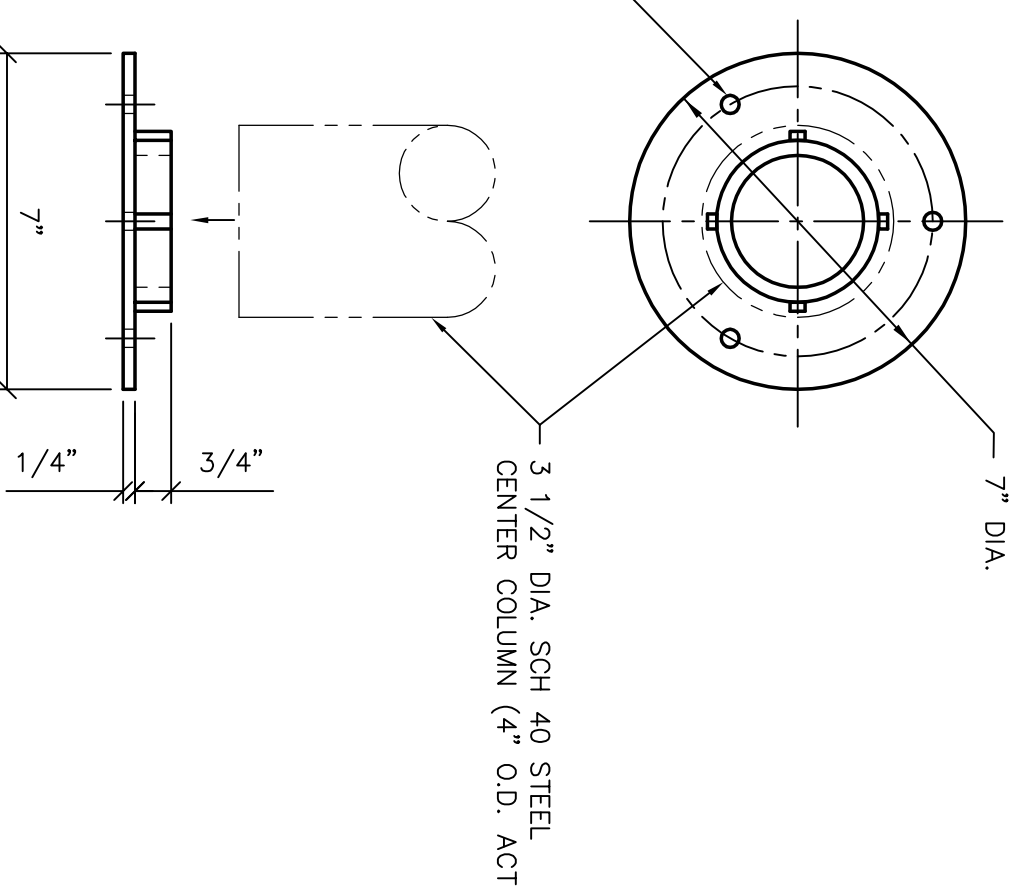


Side Elevation

3/8" = 1'-0"

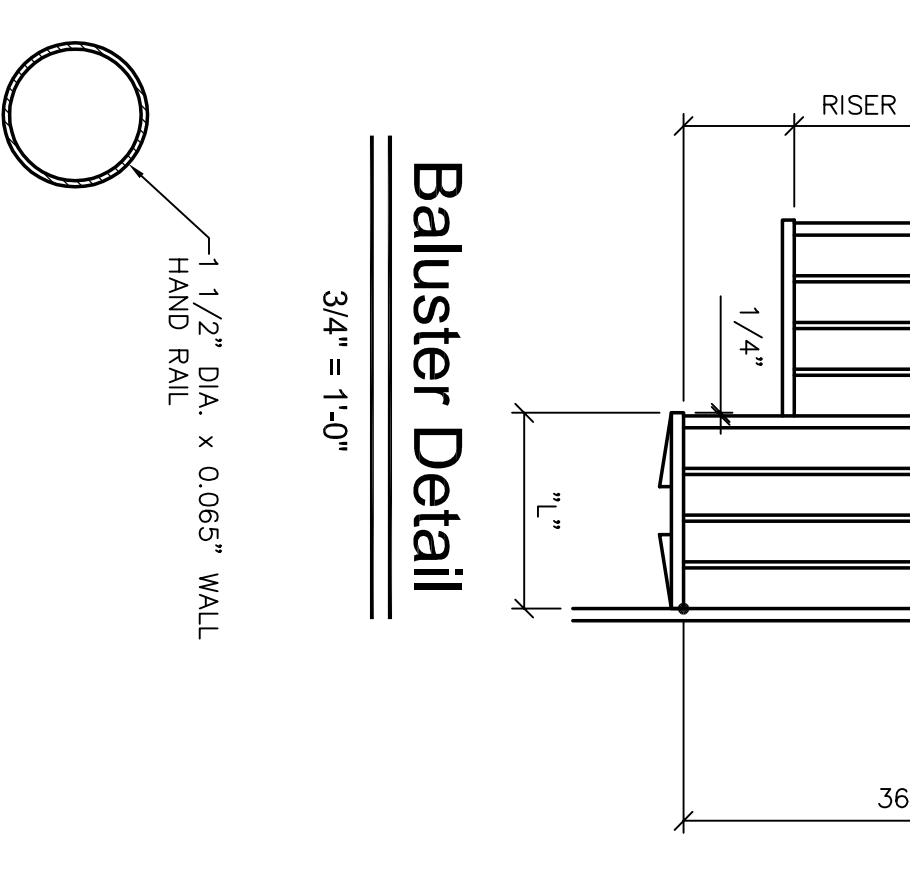
Mounting Plate Detail

3/4" = 1'-0"



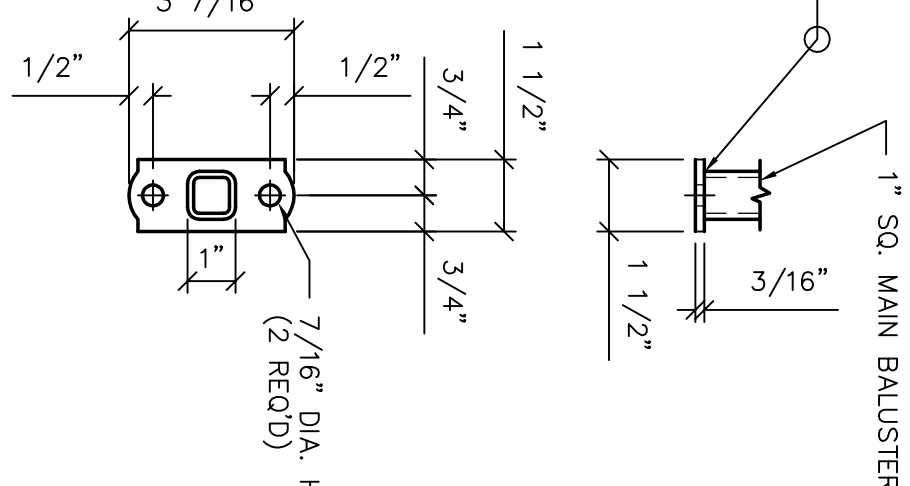
Handrail Profile

6" = 1'-0"



Baluster Detail

3/4" = 1'-0"



Detail "2"

3" = 1'-0"

UNLESS SPECIFIED, ALL STOCK STAIRS ARE SHIPPED WITH 12 GAUGE SMOOTH TREADS INTENDED TO BE COVERED BY CHEMRESISTANT WOOD NONSKID PAINT OR GRIP STRIPS AND WITH 1" SQUARE MAIN 1/2" SQUARE ADDITIONAL BALUSTERS. PRIME PAINTED BLACK. ALL PRICES F.O.B. ERIE, PA.

| REV. | DESCRIPTION | DRAWN | CHECK | DATE |
|------|--|---------|-------|---------|
| 1 | Standard All Welded Steel Spiral Staircase "Square Back Tread" | DEG | | 7/25/08 |
| 2 | | CHECKED | | NOTED |
| 3 | | SCALE | | NOTED |
| 4 | | DWG. | | SH4445 |

SPRAL STAIRS OF AMERICA
 ERIE, PENNSYLVANIA
 (814) 898-3700 FAX: (814) 899-9139

