

Aluminum

Standard

Baluster

Wood

Kit

Deco

Curved

Stainless

Monostringer

THE *Art* OF SPIRAL



For more than 30 years, Spiral Stairs of America, LLC (SSA) has designed, built, and delivered the finest spiral, straight, and curved stairs available in North America. Our craftspeople create these stairs in our 20,000 square foot manufacturing facility (complete steel fab shop and wood shop under one roof) located in Erie, PA - within 500 miles of 85 million people. We offer FREE design assistance and will always take the time to help with any stair problem/question. Additionally, we offer professional CAD drawings and Professional Certified Engineering stamped drawings when needed.

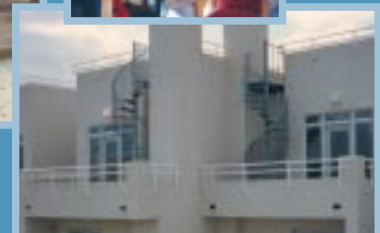
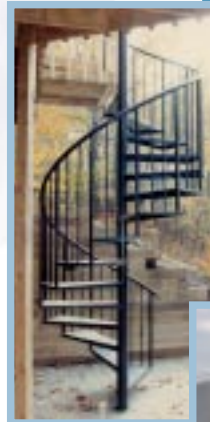


STANDARD



Our STANDARD spiral stairs are available in 2 different styles: all-welded, one-piece units or in KIT form. The all-welded stairs are ready-to-install and can be standing in place 15 minutes after it comes off the truck. Our newly introduced steel KIT stair offers the beauty and strength of our welded unit with the flexibility of a knocked-down unit, with assembly time of approx. 6-8 hours. These stairs are available in standard widths ranging from 3'4" to 6'4" (larger, custom-made sizes also available), and we can build to virtually any height. Available options include wood tread covers, checkerplate, or bargrate treads, and a large number of baluster styles. Matching platform and balcony railing available to help put the finishing touches on any project.

- Steel
- Aluminum
- Stainless
- Steel Kits



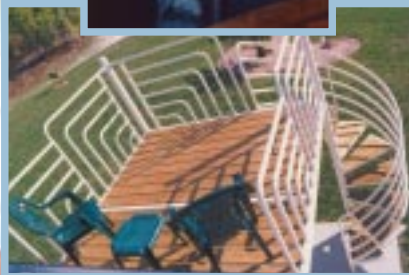
DECO STYLE

Our all-welded, one-piece spiral stairs are also available in DECO style with graceful horizontal railing. We can build this stair with 4, 5, 6, 7, or 8 lines and we also offer our EXCLUSIVE flat-plate stringer. The DECO is a ready-to-install stair that can be standing in place 15 minutes after it comes off the truck, and materials available include steel, aluminum, and stainless steel. Matching platform and balcony railing available to help put the finishing touches on any project.

Steel

Aluminum

Stainless



1.800.422.3700 Toll Free



WOOD

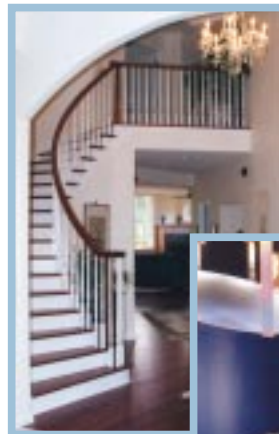


Our wood spiral stairs are available in KIT form and can be assembled easily in 6-8 hours. All of our wood kit stairs come standard with a ONE-PIECE handrail - a feature not available with some competitors and as an option with most others. We offer these stairs in a variety of wood species including pine, oak, cherry, mahogany, hickory, cedar, birch, ash, ipe', teak, and pressure treated lumber. Matching platform and balcony railing available to help put the finishing touches on any project.

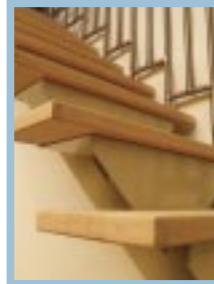
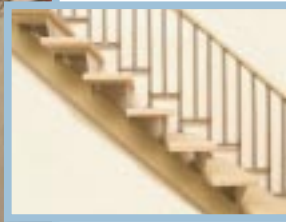


CURVED

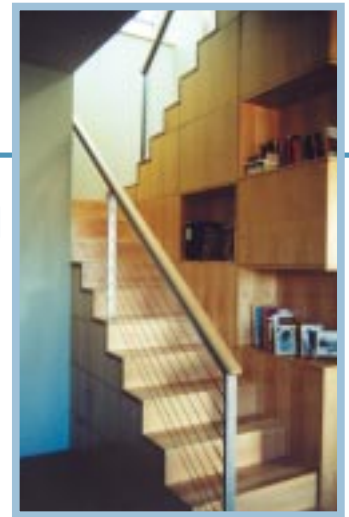
Whether adding style to the entrance of your home, climbing to the top of a silo, or providing access inside a lighthouse, often the best solution is a curved stair. Wood curved stairs have grown in popularity in the past few years and are now seen regularly in fine homes across the country. We can provide turn-key service for all wood curved stairs, including installation if desired. Steel is most often used in commercial or industrial settings and can help gain access to the tops of silos, tanks, and towers. Our steel stairs have been used in trade show displays, at the National Soccer Hall of Fame, and in countless factories across the country.



MONO STRINGER

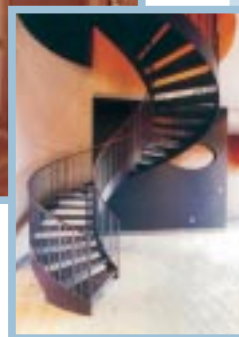


Supported from underneath, the Mono-stringer stair has often been called a "floating stair" courtesy of the illusion created by the hidden stringer. Elegant and refined, this stair will enhance any home, office or retail space, especially those with modern or urban designs.



STRAIGHT

Even though we have SPIRAL in our name, we make a great straight stair also! When only a straight run will do, we have the right product for you. Also, often a combination of straight and curved or spiral stairs can solve access issues as well. Please visit our website for more inspiration and then call one of our product specialists for more assistance.



DOUBLE HELIX

Similar in design to the spiral stair, our Double Helix staircase offers grace and beauty without any center column support. We can manufacture the Double Helix from metal (steel, aluminum, and stainless steel) and many species of wood including oak, cherry, maple and mahogany.

1.800.422.3700 Toll Free



LIBRARY LADDERS



Looking to combine functionality with great design? Our new library ladders are the PERFECT solution. These types of rolling ladders are in use across the country at libraries (obviously!), museums, and in one of the biggest book store chains in America. Additionally, library ladders also work great in kitchens, wine cellars, home theaters (for all those hard-to-reach DVDs!) and closets. Give us a call for a quote and see for yourself how affordable this luxury item can be.



SPIRALS 101

Q: How long does it take to install a spiral staircase?

A: Our kits take approx. 6-8 hours to install and you should have a helper. Our all-welded one-piece metal stairs can be installed in about 15 minutes after unloading off the truck!

Q: Why are the riser heights higher than those on straight stairs?

A: A code compliant spiral needs to "get out of its own way" as you climb it or you will hit your head. Another way to look at it is that on the 9th tread descending, you need 78" of headroom, and after allowing for the platform thickness, the only way to accomplish that is with a riser height of 8-1/2" to 9-1/2".

Q: How long does it take to get my stair once ordered?

A: About 3 weeks, longer for larger and more customized spirals. Curved stairs usually take about 4 weeks or longer.

Q: What types of finishes do you offer?

A: One-coat of shop primer is standard, we also offer powder-coating and galvanizing.

Q: I need to have drawings and P.E. stamp, HELP!

A: We offer the services of our professional C.A.D. designer and we can often get drawings to you for approval within 2-3 weeks after we receive your deposit. We can get any project stamped and approved in all 50 states.

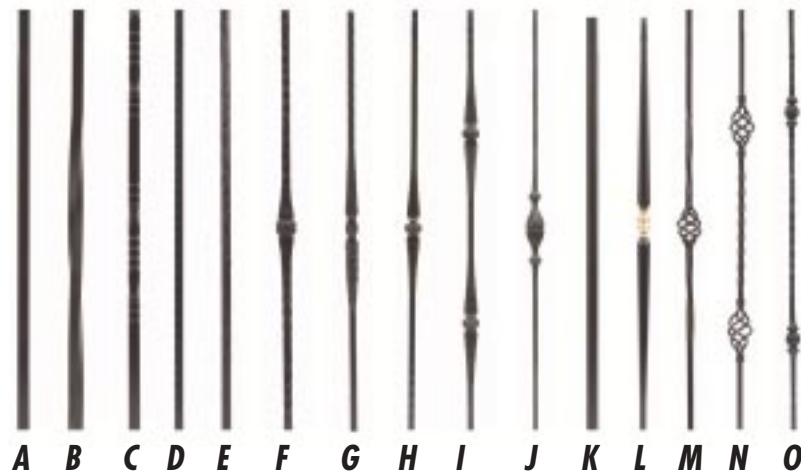


OPTIONS

Treads - Available in a number of styles including: smooth, checkerplate, bar grate, deck-style, and wood covered.



Balusters - In addition to the standard square balusters, we offer round, twisted, birdcage, double birdcage, hand hammered and more.



Handrail - We are one of the few manufacturers in America who sell and ship one-piece, wood handrails for our stairs. Add a touch of class to your spiral or curved stair with an oak, maple, cherry, or birch handrail. Matching handrails and tread covers can make a STANDARD or DECO style stair a true show piece.

Materials - In addition to our steel, stairs, we offer aluminum and stainless steel options. These materials can come un-finished for commercial applications or with more modern and decorative brushed or smooth finishes.

Landings - Our standard landing is a 90 degree rectangle, but we can manufacture any shape needed to match your landing opening. Radius or pie-shaped platforms are available.

Gates - We offer latching gates at the top or bottom of the stairs for safety and security.

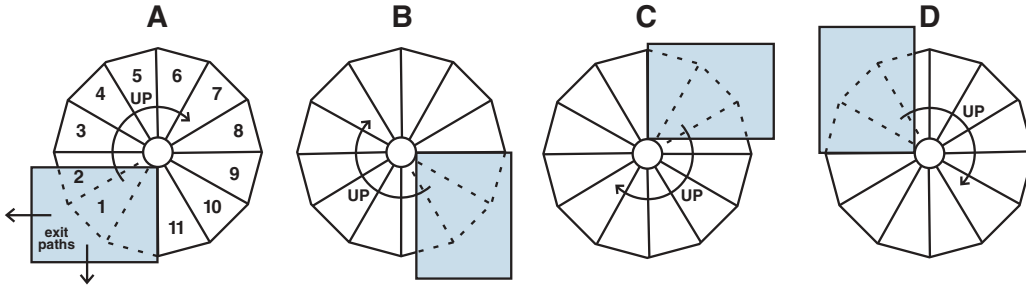
Stack Kits - If you need to climb more than one flight, we can stack our stairs and help connect 3 or more floors.

1.800.422.3700 Toll Free

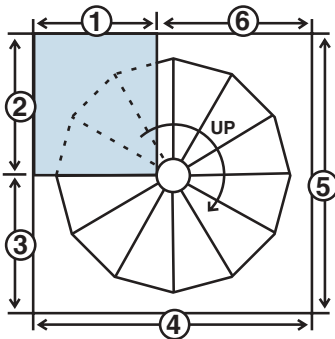
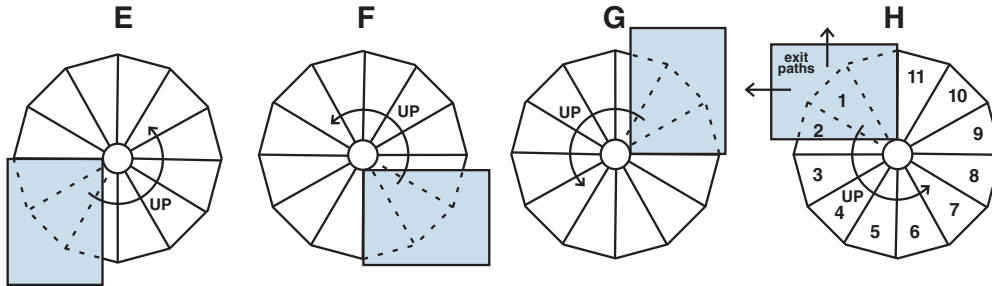


Platform Locations (shaded)-Please sketch walls and balcony rail requirements.
 Arrow inside circle indicates walk direction - Small arrows indicate exit direction off platform.

Left-hand Up

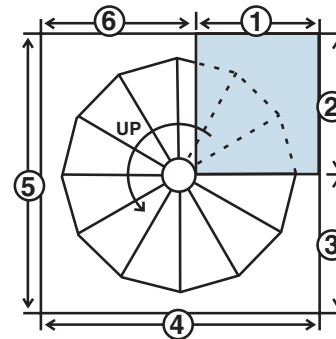


Right-hand Up



Left-hand Up (Clockwise)

FINISH FLOOR OPENING DIMENSIONS						
Diameter	①	②	③	④	⑤	⑥
3-4	20"	22"	22"	44"	44"	24"
4-0	24"	26"	26"	52"	52"	28"
4-4	26"	28"	28"	56"	56"	30"
5-0	31"	33"	33"	66"	66"	35"
5-4	33"	35"	35"	70"	70"	37"
6-0	37"	39"	39"	78"	78"	41"
6-6	41"	43"	43"	86"	86"	45"



Right-hand Up (Counter-Clockwise)

30° RISER CHART 8.5" MIN. 9.5" MAX.			
Floor-to-Floor Height	Number of Treads	Number of Risers	Degree of Turn
76.5 - 85.5	8	9	240°
To 95	9	10	270°
To 104.5	10	11	300°
To 114	11	12	330°
To 123.5	12	13	360°
To 133	13	14	390°
To 142.5	14	15	420°
To 152	15	16	450°
To 161.5	16	17	480°
To 171	17	18	510°

TREAD SIZE BY MODEL NUMBER							
The larger the diameter, the more convenient the stairs are to go up and down. 4' 4" Spiral will rotate through a 30" doorway. 5" Spiral will rotate through a 34" doorway.							
Model Number	3-4	4-0	4-4	5-0	5-4	6-0	6-6
Tread Length	18"	22"	24"	28"	30"	34"	36"
Center Column	4"	4"	4"	4"	4"	4"	6"
Approx. Wt. per 9' section-varies by stair design	200#	225#	245#	288#	324#	375#	400#



1700 SPIRAL COURT, ERIE, PA 16510
 1.800.422.3700 • FAX 814.899.9139
 E-MAIL: INFO@SPIRALSTAIRSOFAMERICA.COM
 WWW.SPIRALSTAIRSOFAMERICA.COM